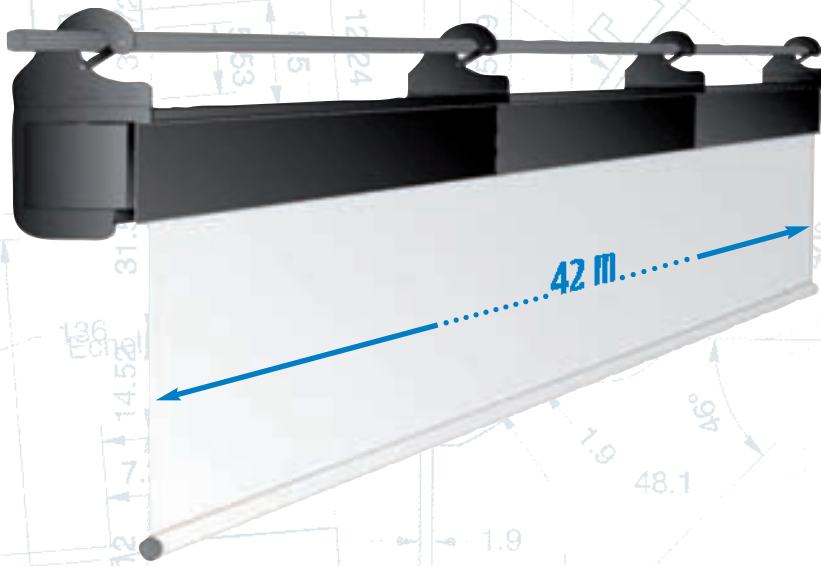


NO LIMIT

Modular rolling up screen of very large dimensions.
A novel concept that is a technical revolution for the large rolling up screens.



The screen is equipped with a double tubular integrated 220 V electric motor with 2 adjustable end stops.

- Motor couple: 2 x 55 Nm.
- Rotational speed: 17 tr/min.
- Speed of the fabric: +/- 10 cm/sec.
- Case dimensions: length: 170 mm; height: 207 mm (without flanges and fastenings)

All the fabrics are compatible with the system

Standard fastenings: suspension hooks for screens hung from a 50 mm boom.

Other mounting models are available on option.

Control: 3-positions inverter or radio remote control.

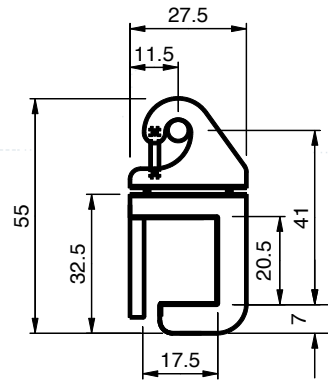
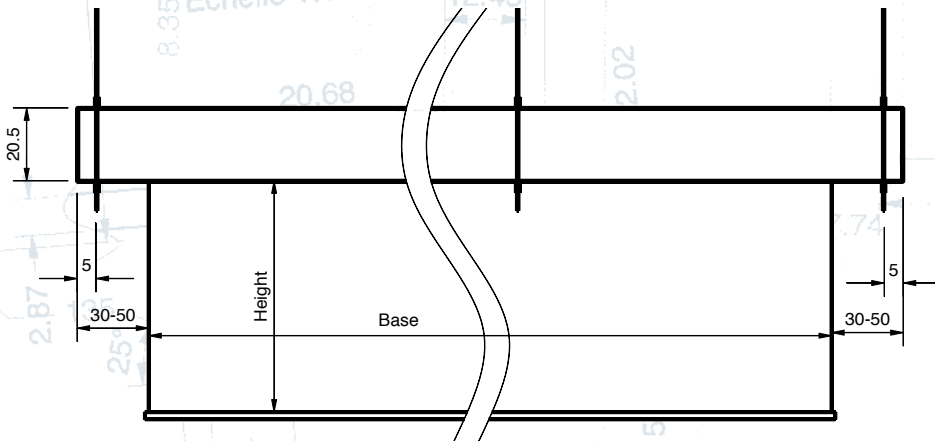
The standard color of the case is Black RAL 9005.

The aluminum case is composed of different modules assembled by external flanges

This system is adapted for the very large rolling up screens and ensures the perfect flatness of the fabric.

Reliable, lightweight and easily carried. Up to 13 m, it can be fully assembled in our workshop. Above this dimension, it is assembled on site by qualified technicians.

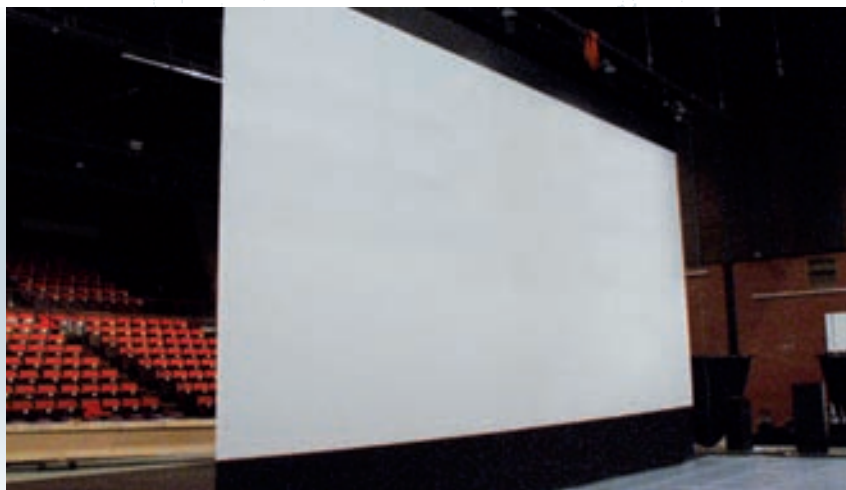
Maximal height of the projection surface: 10 meters



NO LIMIT

ELECTRIC SCREENS

RAY



OPTION

"RAL" COLORS FOR CASES: on quote.

