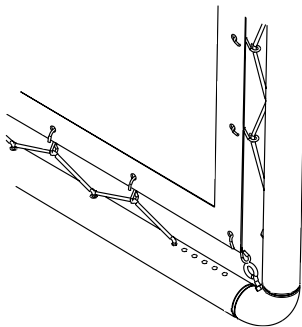


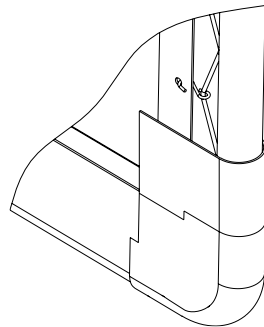
SERIES 200 LACE AND GROMMET FRAME

Lace and Grommet Framing System

- Constructed of 2" diameter aluminum tubing.
- Available with 6" wide Pro-Trim® Masking Cover for non-curved frames to conceal screen binding and lacing cord.
- The Curved Series 200 Frame may be specified to any degree of single axis curve with a maximum width of 30'.
- Lacing Cord and "S" Hooks included and positioned.
- The Series 200 Frame is recommended for use with Da-Lite's front projection screen surfaces in sizes up to 30' wide and rear projection screen surfaces in sizes up to 20' wide (see page 80).



Frame includes pre-positioned lacing cord and "S" Hooks.



Optional Pro-Trim® Masking Cover conceals screen binding and lacing cord.

Description

- Series 200 Lace and Grommet Frame
- Series 200 Lace and Grommet Frame with 6" Pro-Trim® Masking Cover
- Series 200 Lace and Grommet Frame with Single Axis Curve

LACE AND GROMMET SCREEN SURFACES

Grommet Style Custom Screen

- Offers a permanent fixed or fly screen for lace and grommet frame.
- Heavy duty brass grommets provide even tensioning of the screen.
- Snap Button Style also available for mounting on provided studs.
- Various sizes and fabric options available with choice of white or black edge binding.



Description

Matte White surface (up to 8' high)

Matte White surface (over 8' high)

High Contrast Matte White surface

Video Spectra 1.5 surface

Silver Matte surface

High Power® surface

Da-Mat surface

High Contrast Da-Mat surface

Pearlescent surface

Cinema Vision surface

High Contrast Cinema Vision surface

High Contrast Cinema Perf surface

Silver Vision

Audio Vision surface

High Contrast Audio Vision surface

Da-Tex (Rear) surface

High Contrast Da-Tex (Rear) surface

Dual Vision surface

Nylon Lacing Cord

Shock (stretch) Lacing Cord