

# TK700STi

## BenQ DLP Projector



### Features

- True 4K UHD 8.3 Million Pixels Resolution
- Hyper-Realistic Video Quality with Projector-optimized HDR10/HLG
- 3000 ANSI Lumens High Brightness for Bright Rooms
- 100% Rec.709 Color Space Coverage
- Short Throw Projection Distance, 100 inches at 2.2 meters
- 3D Keystone Correction with Auto Vertical Keystone Correction
- Ultra Low Latency for Gaming; 4K: 16.67ms@60Hz, 1080p: 16.67ms@60Hz & 1080p: 8.33ms@120Hz
- Smart Projector Powered by Google-certified Android TV & Google Play Store, via Included Hidden QS01 (ATV) Dongle



Powered by  
**androidtv**



treVolo™



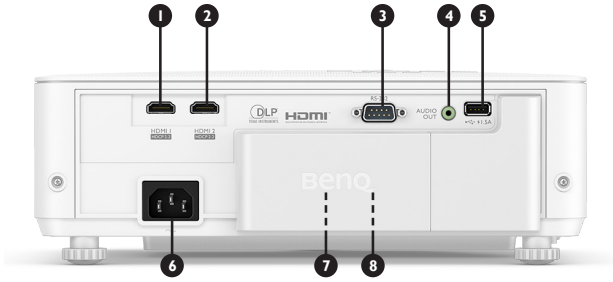
### Product Specifications

<b>Projection System</b>	DLP
<b>DMD type</b>	0.47"
<b>Native Resolution</b>	4K UHD (3840 x 2160) Resolution
<b>Brightness</b>	3,000 ANSI Lumens
<b>Contrast Ratio*</b>	4500 : 1
<b>Display Color</b>	1.07 Billion Colors
<b>Aspect Ratio</b>	Native 16 : 9 (5 aspect ratios selectable)
<b>Light Source</b>	240W Lamp
<b>Light Source life**</b>	Normal 4,000 / Eco 10,000 / SmartEco 8,000 / Lamp Save 15,000 hours
<b>Throw Ratio</b>	0.9~1.08 ; 95"±3% @1.89m
<b>Zoom Ratio</b>	1.2x ±2%
<b>Keystone Correction</b>	3D Keystone '+/- 30° (H/V, Auto Vertical only)
<b>Projection Offset</b>	110% ±3%
<b>Projection Size (Clear Focus / Maximum)</b>	60"~200" / 300"
<b>Built-in Speaker</b>	5W treVolo x 1
<b>Security</b>	Kensington Lock
<b>Feature</b>	4K UHD, HDR10, 3D Keystone '+/- 30° (H/V, Auto Vertical only), Short Throw Lens (0.9~1.08 ; 95"±3% @1.89m)
<b>Resolution Support</b>	VGA (640 x 480) to 4K UHD (3840 x 2160)
<b>Horizontal Frequency</b>	15K~135KHz
<b>Vertical Scan Rate</b>	23~120Hz
<b>HDTV Compatibility</b>	480i, 480p, 576i, 576p, 720p, 1080i, 1080p, 2160p
<b>Video Compatibility</b>	NTSC, PAL, SECAM, SDTV (480i/576i), EDTV (480p/576p), HDTV (720p, 1080i/p 60Hz)
<b>Power Consumption (Max / Normal / Eco)</b>	Max 380W, Normal 310W, Eco 215W Typical Power Consumption: 296W@220VAC
<b>Standby Power Consumption</b>	0.5W Max. at 100 ~ 240VAC
<b>Power Supply</b>	VAC 100 ~ 240 (50/60Hz)
<b>Product Dimensions (W x H x D)</b>	312 x 110 x 246 mm
<b>Product Weight</b>	3.1 kg (6.83 lbs)
<b>Noise Level (Normal / Eco)</b>	35 / 29 dBA
<b>Operating Temperature</b>	0 ~ 40°C (Celsius)
<b>Accessories (Standard)</b>	Power Cord Remote Control (RC1067) AAA Battery x 4 Quick Start Guide Warranty Card (by region) QS01 HDMI Media Streaming (ATV dongle)
<b>On Screen Display Language</b>	Arabic / Bulgarian / Croatian / Czech / Danish / Dutch / English / Finnish / French / German / Greek / Hindi / Hungarian / Italian / Indonesian / Japanese / Korean / Norwegian / Polish / Portuguese / Romanian / Russian / Simplified Chinese / Spanish / Swedish / Turkish / Thai / Traditional Chinese (30 Languages)

\*The Contrast is measured by Full On Full Off standard.

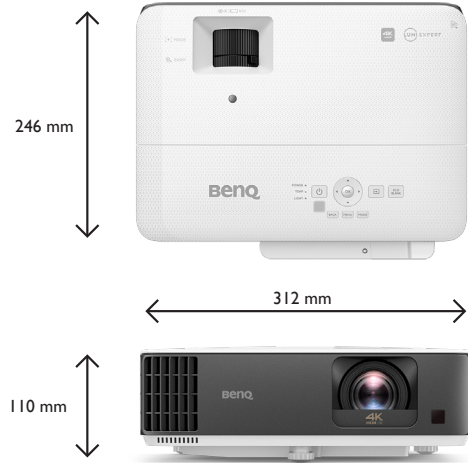
\*\*Lamp life results will vary depending on environmental conditions and usage. Actual product's features and specifications are subject to change without notice.

## Input and Output Terminals

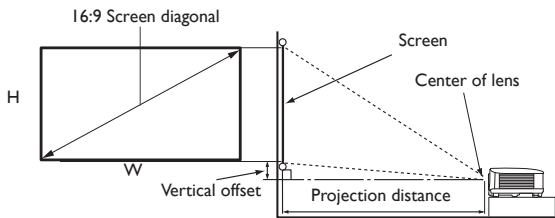


- 1 HDMI-1 (HDCP2.2)
- 2 HDMI-2 (HDCP2.2)
- 3 RS232 Input (D-sub 9pin, male)
- 4 Audio Output (mini jack)
- 5 USB Type A (1.5A power)
- 6 AC Power cable inlet
- 7 HDMI-3 (HDCP2.2) for ATV Dongle only
- 8 QS01 (ATV) HDMI Dongle

## Dimensions



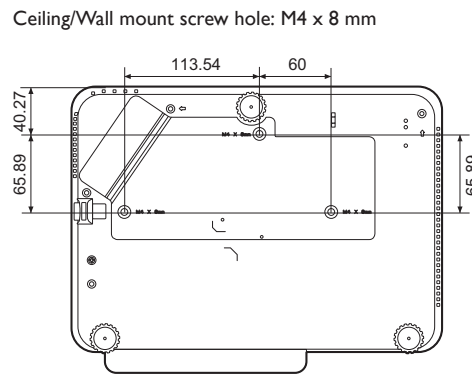
## Distance Chart



The screen aspect ratio is 16:9 and the projected picture is in 16:9

Screen size				Projection distance (mm)			Vertical offset
Diagonal	Height	Width	Min distance (max zoom)	Average	Max distance (min zoom)		
inch	mm	mm	mm	mm	mm	mm	mm
30	762	374	664	598	657	717	37
40	1016	498	886	797	877	956	50
50	1270	623	1107	996	1096	1195	62
60	1524	747	1328	1195	1315	1435	75
70	1778	872	1550	1395	1534	1674	87
80	2032	996	1771	1594	1753	1913	100
90	2286	1121	1992	1793	1972	2152	112
100	2540	1245	2214	1992	2192	2391	125
110	2794	1370	2435	2192	2411	2630	137
120	3048	1494	2657	2391	2630	2869	149
130	3302	1619	2878	2590	2849	3108	162
140	3556	1743	3099	2789	3068	3347	174
150	3810	1868	3321	2989	3287	3586	187
160	4064	1992	3542	3188	3507	3825	199
170	4318	2117	3763	3387	3726	4065	212
180	4572	2241	3985	3586	3945	4304	224
190	4826	2366	4206	3786	4164	4543	237
200	5080	2491	4428	3985	4383	4782	249
210	5334	2615	4649	4184	4602	5021	262
220	5588	2740	4870	4383	4822	5260	274
230	5842	2864	5092	4583	5041	5499	286
240	6096	2989	5313	4782	5260	5738	299
250	6350	3113	5535	4981	5479	5977	311
260	6604	3238	5756	5180	5698	6216	324
270	6858	3362	5977	5380	5917	6455	336
280	7112	3487	6199	5579	6137	6695	349
290	7366	3611	6420	5778	6356	6934	361
300	7620	3736	6641	5977	6575	7173	374

## Ceiling Mount Chart



Unit: mm

### BenQ Europe B.V.

Meerenakkerweg 1-17  
5652 AR Eindhoven  
The Netherlands  
Tel: +31 88 8889200  
Fax: +31 88 8889299

BenQ.eu



# QS01

## BenQ HDMI Media Streaming Dongle

Powered by  
**androidtv**



### Features

- Official Legal Android-apps from the Google Play Market
- Amazon Prime Pre-Loaded
- Ability to Stream to Multiple Platforms
- Secured & Safe Content with Parental Controls in the Special Kids Channel
- Google Voice Search & Google Assistant
- Unified Remote Control for Projector and QS01 (ATV)
- Plug and Play

### Product Specifications

<b>Display</b>	CPU	Amlogic S905 Y2, Quad A55
	GPU	Mali-G31 MP2
	DDR RAM	2G
	ROM EMMC	16G
	WIFI Module	2.4G / 5G, 802.11 a/b/g/n/ac
	Bluetooth	BT 4.2
	Input power	5V,1A
<b>Input / Output</b>	HDMI Out	x 1
	Micro USB	x 1
<b>System</b>	Google Android TV	ATV 9.0
	Pre-Load apps	Amazon Prime, Wireless Projection, FamiLand
	Dolby	Yes
	HDR / HLG	Yes
<b>Special Feature</b>	Amazon Prime	Amazon Prime
	Wireless Display	IOS (AirPlay) / Android (Chromecast) / Chrome browser
	FamiLand	Secured and Safe Parental Controls in the Special Kids Channel
	Voice Search	Google Assistant (Available in Supported Countries)
	Voice Assistant	Google Assistant (Available in Supported Countries)
<b>Operation Condition</b>	Operating Temperature	0~40 degrees (Celsius)

#### BenQ Europe B.V.

Meerenakkerweg 1-17  
5652 AR Eindhoven  
The Netherlands  
Tel: +31 88 8889200  
Fax: +31 88 8889299

[BenQ.eu](http://BenQ.eu)

© 2021 BenQ Corp. Specifications may vary by region, please visit your local stores for details. Actual product's features and specifications are subject to change without notice. This material may include corporate names and trademarks of third parties which are the properties of the third parties respectively.

